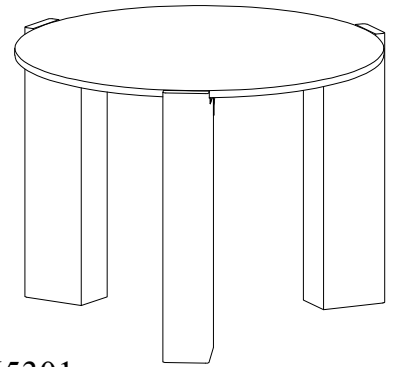


Warning :

- Be sure to check all packing material carefully for small parts, which may have come loose inside the carton during shipment.
- To prevent possible scratches and damage, this furniture **MUST BE ASSEMBLED BY TWO PEOPLE** on a soft surface such as a blanket or carpet.



65301
Round Cocktail Table Top
65302
Round Cocktail Table Base

Components packed with the # 65301 Top

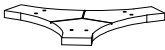
Top



(A) 1 pc.

Components & Hardware packed with the # 65302 Base

Top Mounting Plate



(B) 1 pc.

Leg



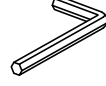
(C) 3 pcs.

5/16-18 x 1-1/2" Allen Bolt



(D) 6 pcs.

6mm Allen Key



(E) 1 pc.

5/16" Lock Washer



(F) 6 pcs.

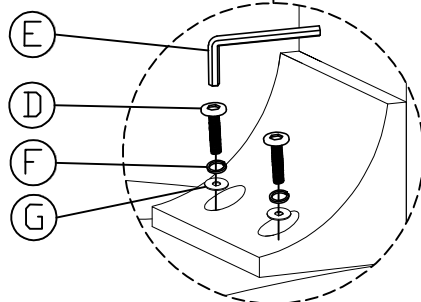
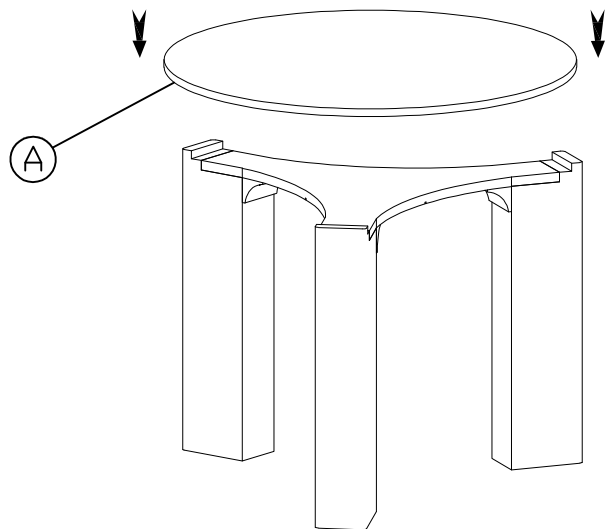
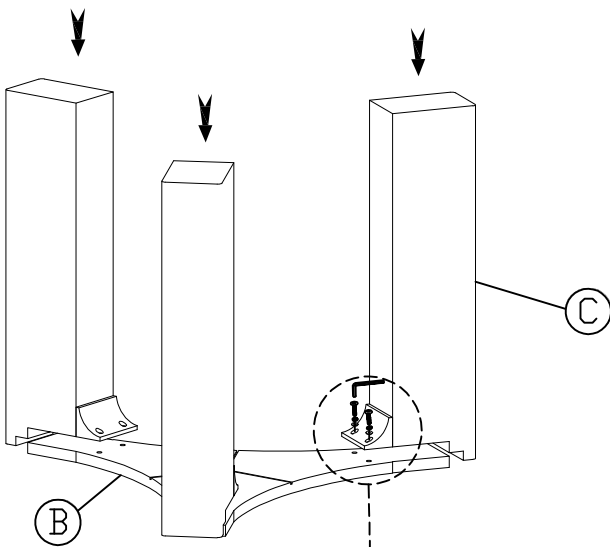
5/16" Flat Washer



(G) 6 pcs.

Step 1: Using the Allen key to tighten all bolts.

Step 2: Use smooth side of glass on top



Complete

